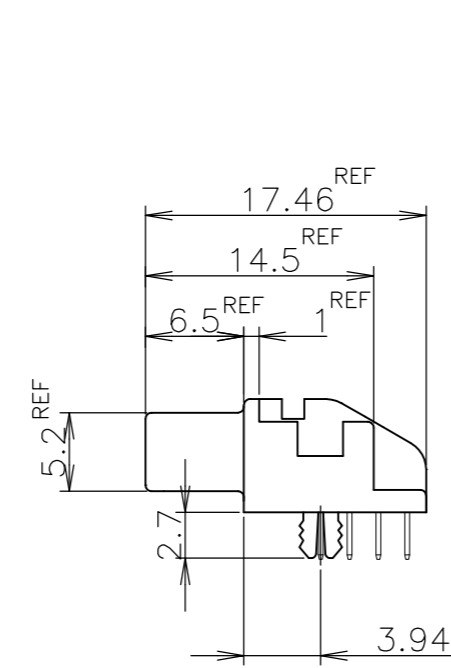
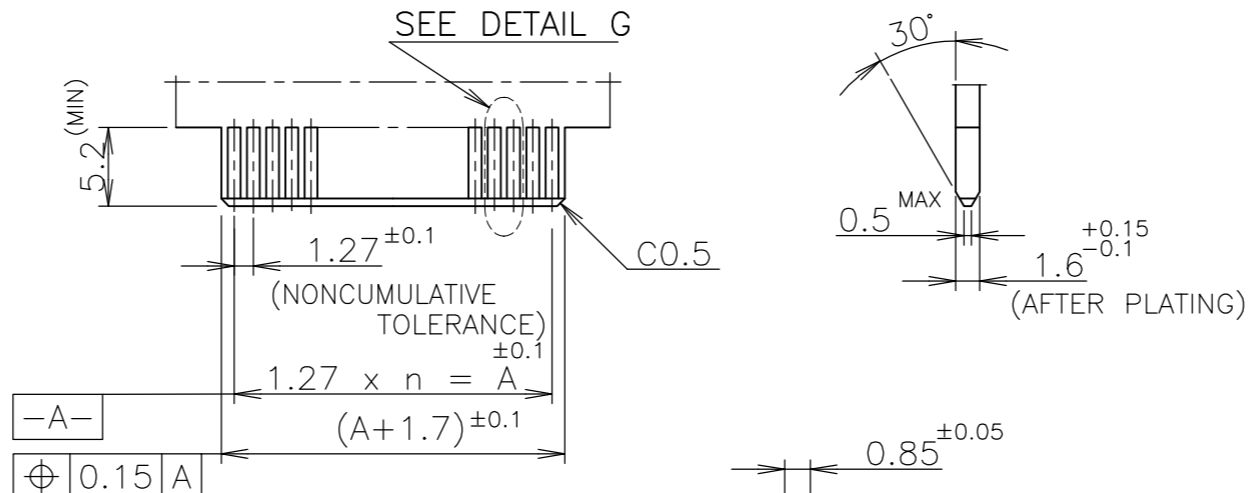
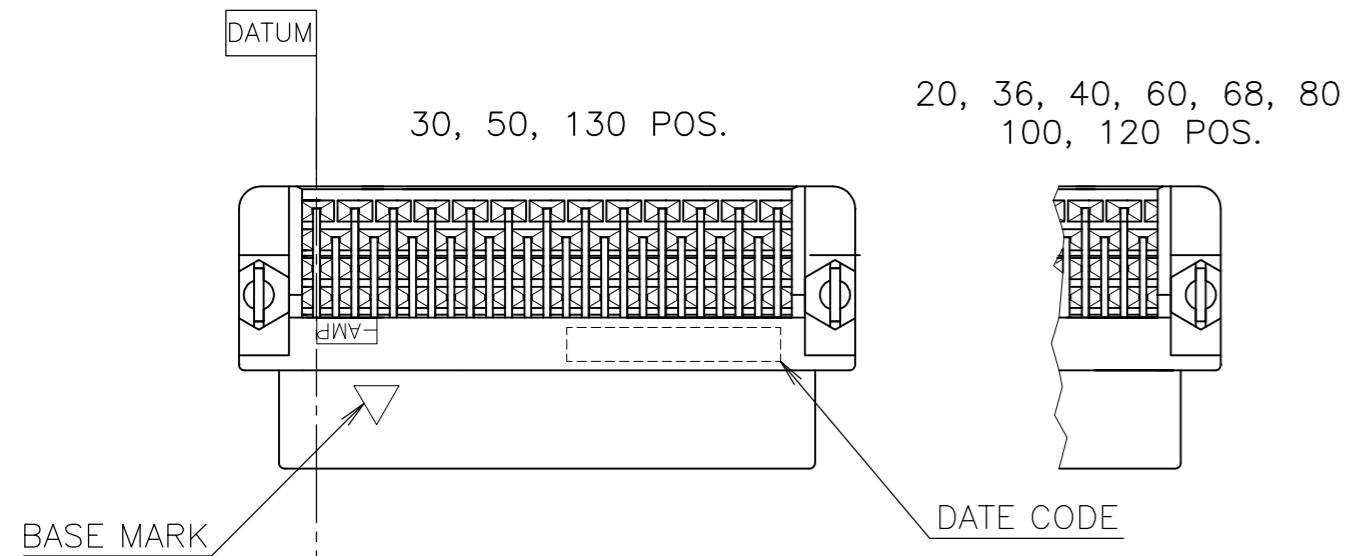
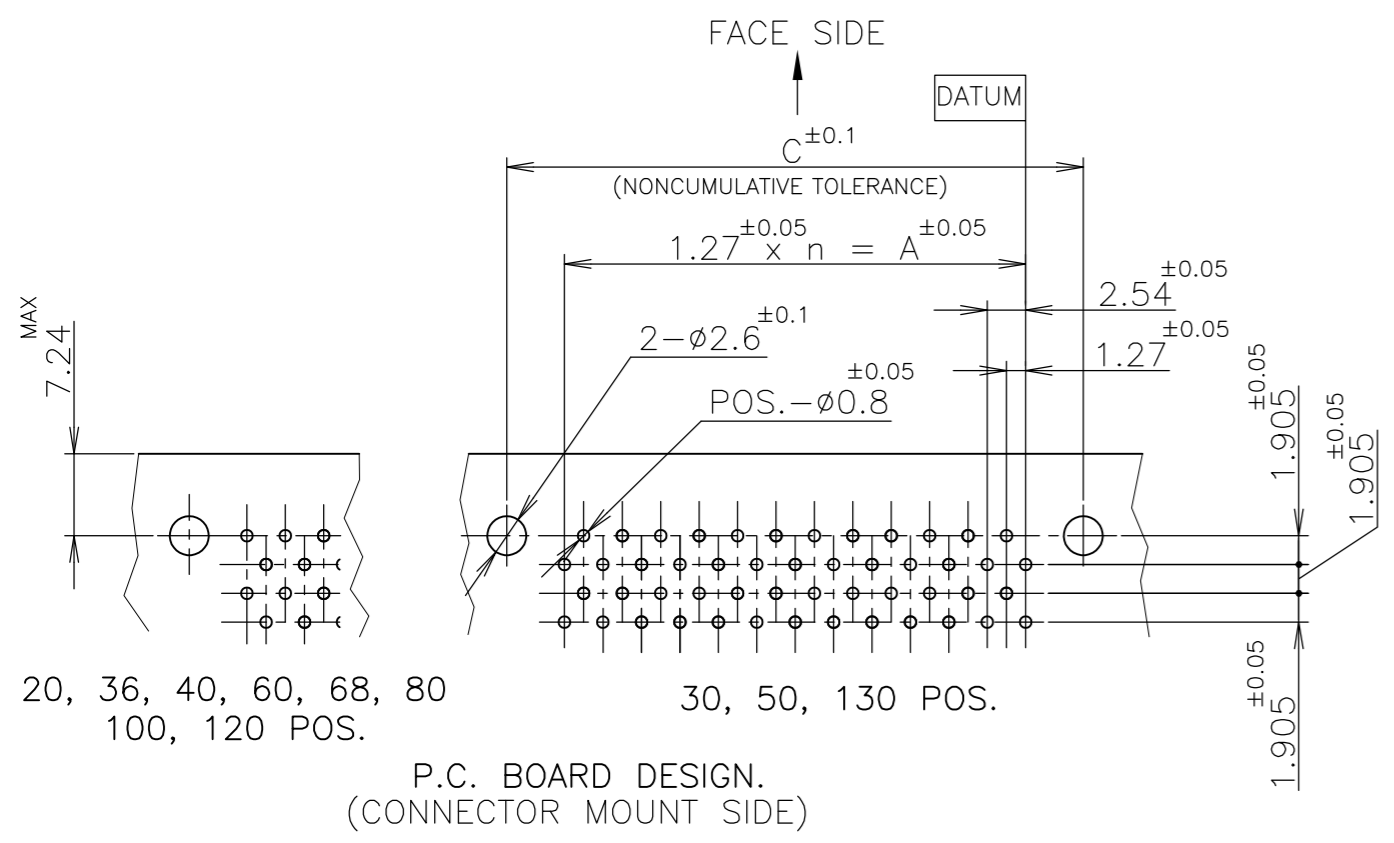
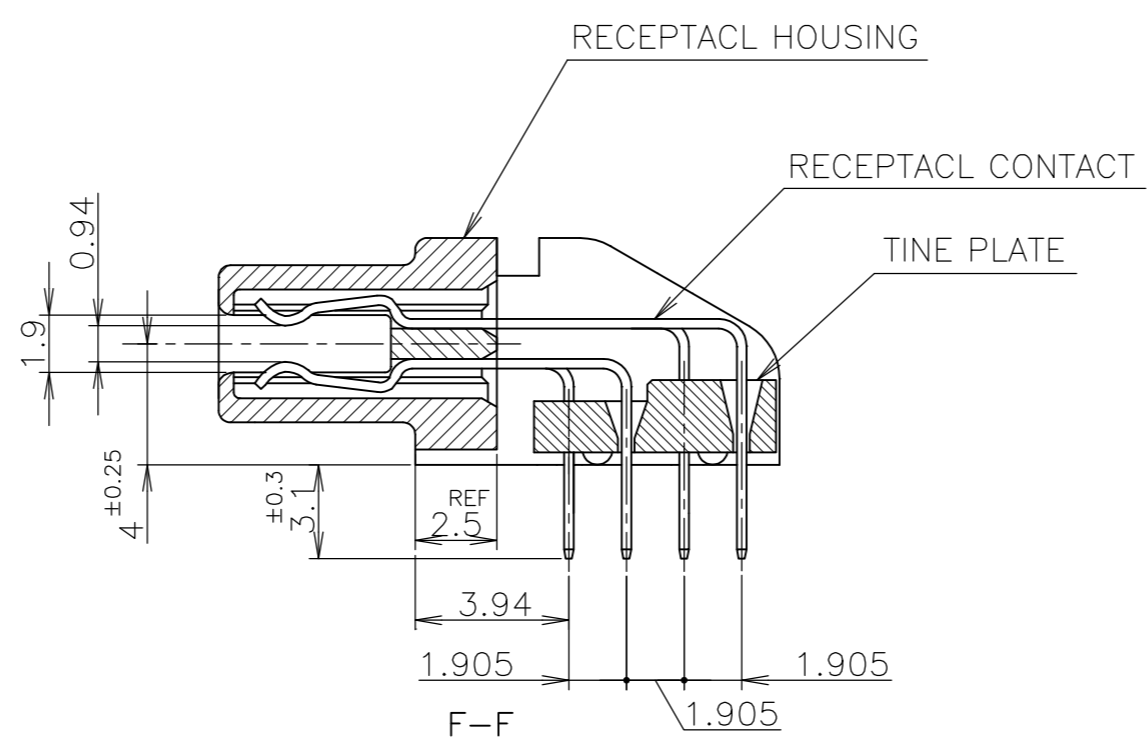
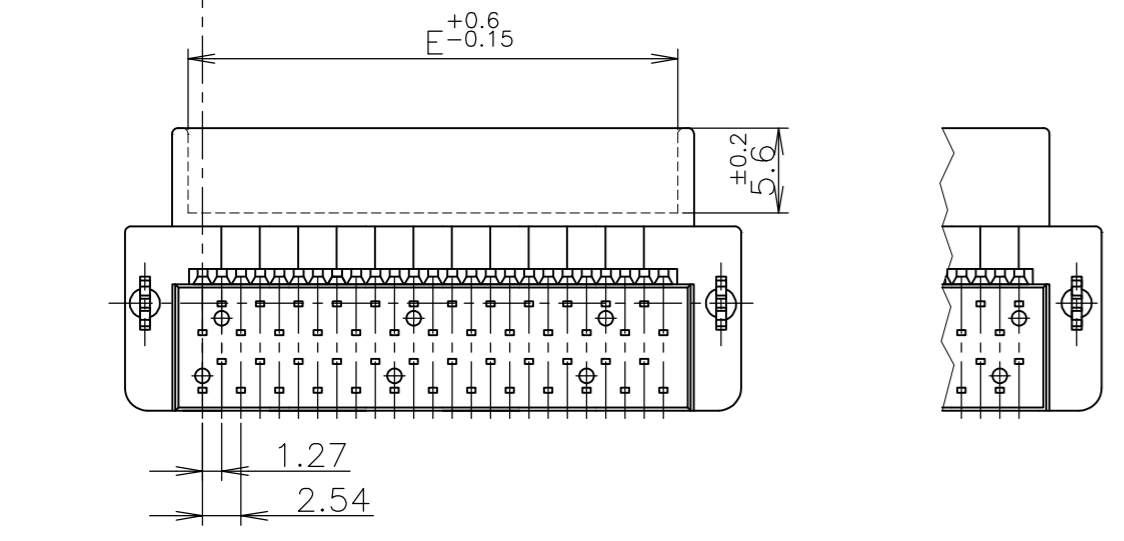
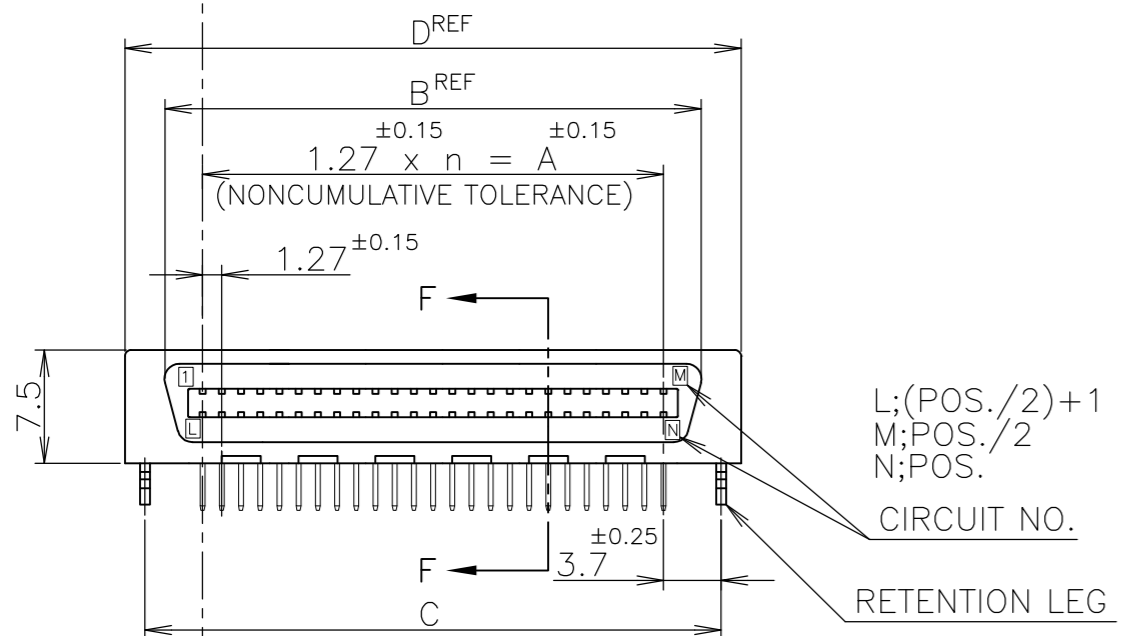


LOC		DIST		REVISIONS					
P	LTR	DESCRIPTION	DATE	DWN	APVD				
ES	00	R	REVISED PER ECO-12-012349	28MAR13	BL	AC			



RECOMMENDED P.C. BOARD DIMENSIONS.
 PAD PLATING TO BE 0.0015 GOLD OVER NICKEL
 4

- 1 NUMBER "n" IS COUNTED FROM DATUM (CIRCUIT NO.1 IS "AMP" MARK SIDE.)
- 2 MATERIAL: HOUSING, 66 NYLON (GF) UL 94V-0, BLACK. CONTACT, PHOSPHOR BRONZE. RETENTION LEG; BRASS.
- 3 FINISH: CONTACT; Au AT CONTACT AREA (SEE TABLE), TIN AT TINE, OVER Ni. RETENTION LEG; TIN UNDER Ni.
- 4 P.C. BOARD THK MUST BE 1.6 ± 0.15 FOR CARD EDGE CONNECTOR



LEAD FREE

GENERAL TOLERANCE
 10 ≥ ± 0.2
 30 ≥ > 10: ± 0.25
 100 ≥ > 30: ± 0.3
 ANGLES: ± 3°

OBSOLETE	6-	-2	130	64	81.28	86.82	88.68	92.48	83.18		
	6-	-1	120	59	74.93	80.47	82.33	86.13	76.83		
	6-	-0	100	49	62.23	67.77	69.63	73.43	64.13		
	5-	-9	80	39	49.53	55.07	56.93	60.73	51.43		
	5-	-8	68	33	41.91	47.45	49.31	53.11	43.81		
	5-	-7	60	29	36.83	42.37	44.23	48.03	38.73		
	5-	-6	50	24	30.48	36.02	37.88	41.68	32.38		
	5-	-5	40	19	24.13	29.67	31.53	35.33	26.03		
	5-	-3	30	14	17.78	23.32	25.18	28.98	19.68		
	5-	-1	20	9	11.43	16.97	18.83	22.63	13.33		
	4-	-2	130	64	81.28	86.82	88.68	92.48	83.18		
	4-	-1	120	59	74.93	80.47	82.33	86.13	76.83		
	4-	-0	100	49	62.23	67.77	69.63	73.43	64.13		
	3-	-9	80	39	49.53	55.07	56.93	60.73	51.43		
	3-	-8	68	33	41.91	47.45	49.31	53.11	43.81		
	3-	-7	60	29	36.83	42.37	44.23	48.03	38.73		
	3-	-6	50	24	30.48	36.02	37.88	41.68	32.38		
	3-	-5	40	19	24.13	29.67	31.53	35.33	26.03		
	3-	-3	30	14	17.78	23.32	25.18	28.98	19.68		
	3-	-1	20	9	11.43	16.97	18.83	22.63	13.33		
OBSOLETE	1-	-2	130	64	81.28	86.82	88.68	92.48	83.18		
	1-	-1	120	59	74.93	80.47	82.33	86.13	76.83		
	1-	-0	100	49	62.23	67.77	69.63	73.43	64.13		
		-9	80	39	49.53	55.07	56.93	60.73	51.43		
		-8	68	33	41.91	47.45	49.31	53.11	43.81		
		-7	60	29	36.83	42.37	44.23	48.03	38.73		
		-6	50	24	30.48	36.02	37.88	41.68	32.38		
		-5	40	19	24.13	29.67	31.53	35.33	26.03		
OBSOLETE		-4	36	17	21.59	27.13	28.99	32.79	23.49		
		-3	30	14	17.78	23.32	25.18	28.98	19.68		
			20	9	11.43	16.97	18.83	22.63	13.33		
			5175474-1	0.0002	20	9	11.43	16.97	18.83		
			PART NO.	Au PLATE	POS.	n	A	B	C	D	E

THIS DRAWING IS A CONTROLLED DOCUMENT.

DWN: S.ISHIKAWA 13OCT88
 CHK: Steven Yao 19AUG2004
 APVD: Julyee Zhu 19AUG2004

TE Connectivity
 AMP CHAMP .050 CONNECTOR (B-T-B)
 RECEPTACLE CONNECTOR
 (HORIZONTAL WITH RETENTION LEG)

108-60038
 APPLICATION SPEC

SIZE: A2 CAGE CODE: 00779 DRAWING NO: C=5175474
 WEIGHT: RESTRICTED TO

CUSTOMER DRAWING SCALE: NTS SHEET: 1 OF 1 REV: R